

CMRI CERT NO. :- CIMFR/TC/SR/H483
 SUPPLE. T.C. NO. :- CIMFR/TC/S/H144
 CAT. NO./TYPE NO. :- KJB-A-04

TECHNICAL DATA

ENCLOSURE :-
 EX-d AS PER IS/IEC 60079-1:2007

PROTECTION :-
 IP-66 AS PER IS 12063-1987 (IS/IEC 60529:2001)

AREA CLASSIFICATION :-
 ZONE -1 & 2

TEMPERATURE CLASS :-
 T6

GAS GROUPS :-
 IIB

MATERIAL OF CONSTRUCTION :-
 DIE CAST AL. ALLOY LM-6

HARDWARE :-
 STEEL ZINC PLATED/STAINLESS STEEL

FINISH :-
 LIGHT GREY

EARTHING :-
 1 NO. INSIDE & 2 NOS. OUTSIDE

CABLE ENTRY :-
 M20x1.5P / 3/4"ET - 2NOS.

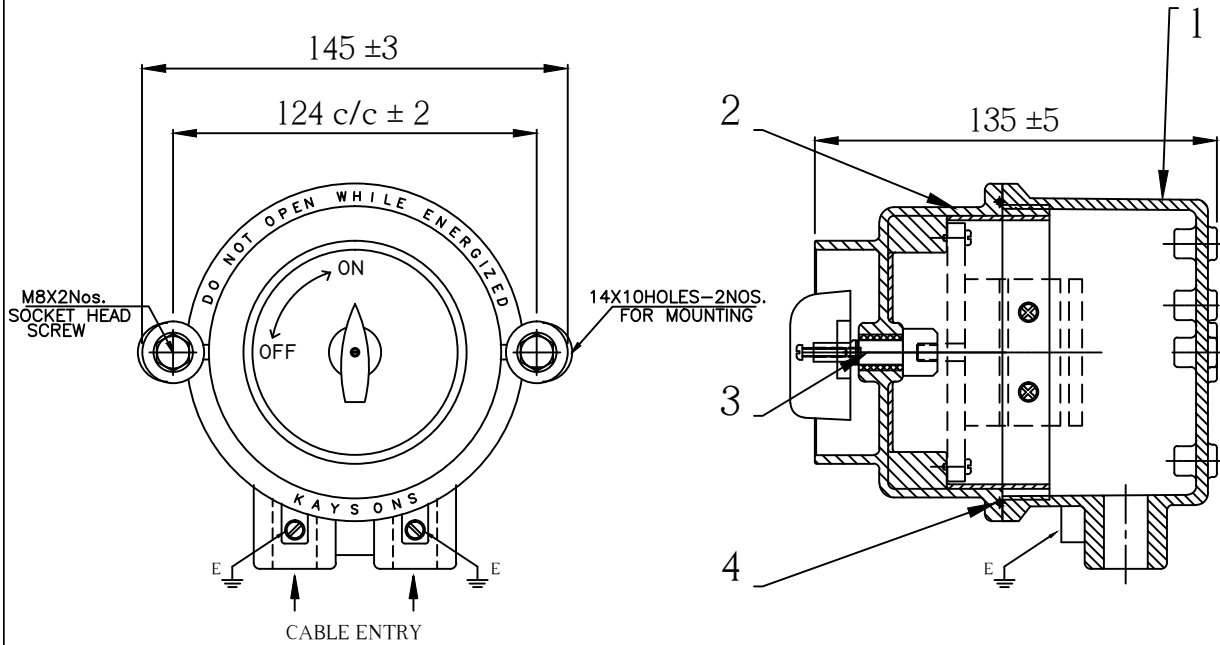
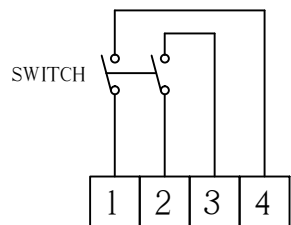


TABLE-A #
 DESCRIPTION

SL. NO.	RATING
01.	16A. 250V.
02.	16A. 415V.
03.	25A. 250V.
04.	25A. 415V.
05.	32A. 415V.

WIRING DIAGRAM



NO.	DESCRIPTION	QTY	MAT./RATING
04.	GASKET (ENDLESS, MOULDED)	1	NEOPRENE
03.	ON-OFF SWITCH	1	TABLE-A #
02.	MAIN BODY COVER	1	DIE CAST AL. ALLOY
01.	BODY	1	DIE CAST AL. ALLOY

CLIENT :-	DRAWN	KBP	1.8.13	DESCRIPTION:- FLAMEPROOF WEATHERPROOF ROTARY SWITCH
CONSULTANT :-	APP'D	HPB	1.8.13	
P.O.NO. :-	CH'D	NPB	1.8.13	
KAYSONS TECHNO EQUIPMENTS PVT LTD 1802/7, G.I.D.C. ESTATE, V.U.NAGAR 388121. (GUJARAT)				SHT.NO. 1 OF 1
THE INFORMATION CONTAINED IN THIS DRAWING IS THE PROPERTY OF KAYSONS TECHNO EQUIPMENTS PVT. LTD. AND IS NOT TO BE COPIED OR MISUSED IN ANY WAY.				DRG.NO.:- B28

ISSUE	DATE	BY	MODIFICATION